



Arlington Semi Privacy Fence INSTALLATION INSTRUCTIONS:

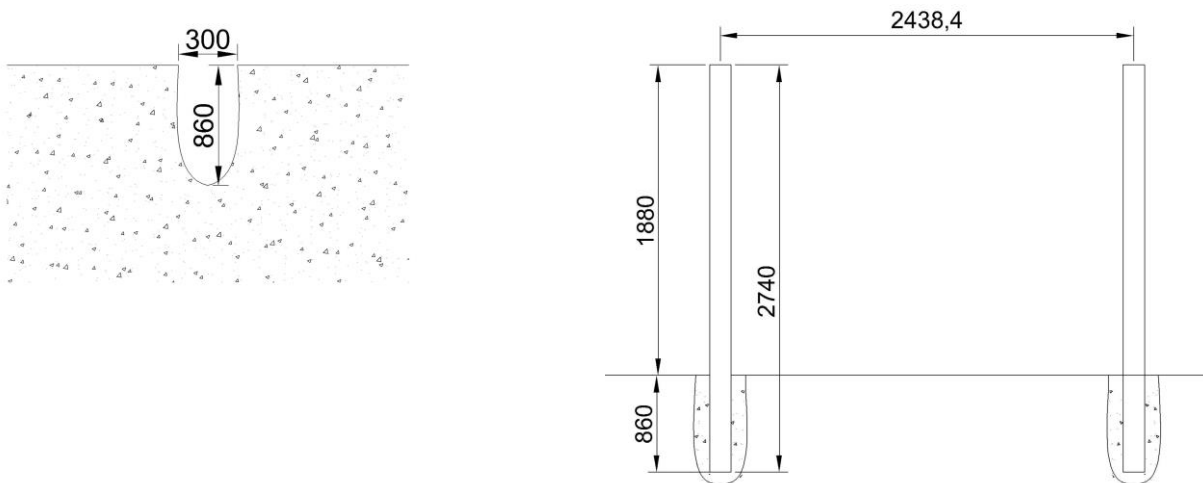
Required Tools:

Level, Measuring tape, Hacksaw, PVC glue, Shovel

Installation Procedures:

1. Post Installation

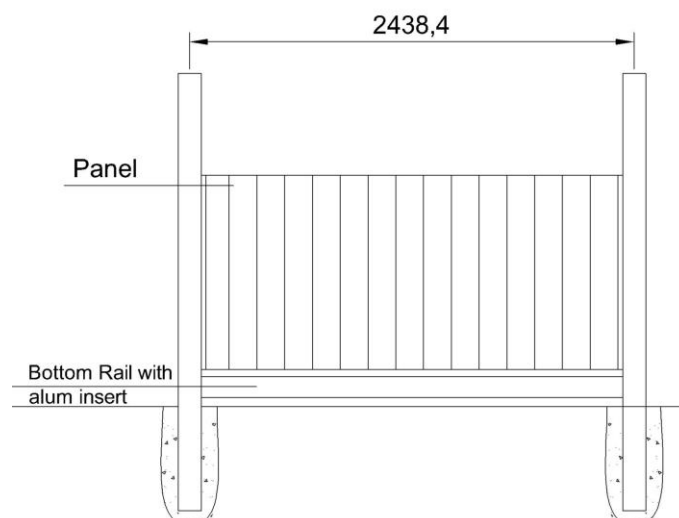
Dig a hole of 300mm wide and 860mm deep. The distance from hole center to center is 2.44m. Put **post** into the hole, then fill the hole with concrete. Adjust the post level so the top of the post is 1880 above the finished ground level. We recommend you use well braced string lines to get the line of posts level, straight and even height.



2. Fence Installation

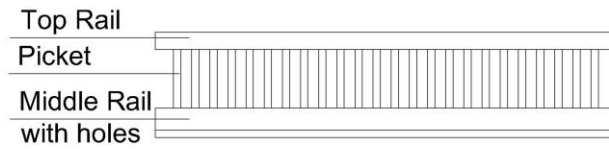
Insert bottom rail in to post (with alum insert) by pushing it all the way into one, then slide it back into the other post until the barbs on the rail **panels** into the slot of panels with U-channel

Put the bottom rail, making sure are on both ends.



3. Connect the Pickets

Insert the pickets into holes on both **top rail** and **middle rail** (big rail with holes). Make sure the notch is fully pushed inside the post.



4. Final Installation

Slide top and middle rails complete with pickets into one post using the above method while lining up the panel to fit the slot on the bottom of the middle rail. Then push the rails into holes on the post other post using the same method as above again. Glue the caps to the post.

